

PRACTICE SHEET - 8

Org by - ABACUS ACADEMY, KALNA

**SENIOR
Level**

Name : _____

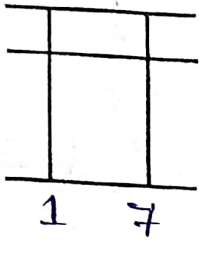
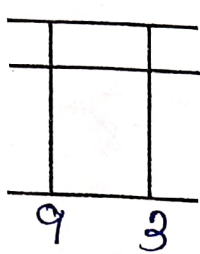
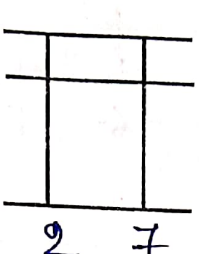
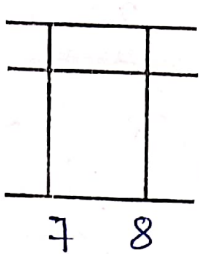
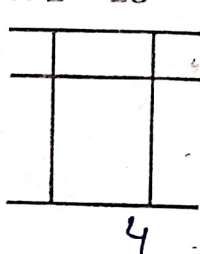
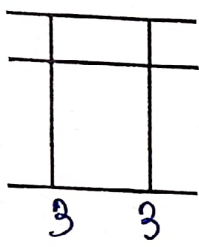
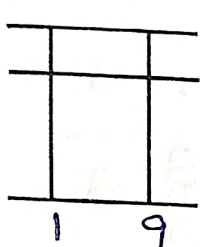
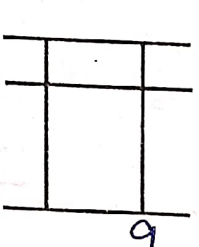
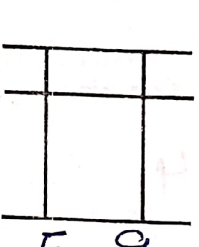
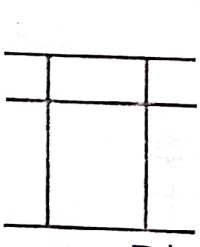
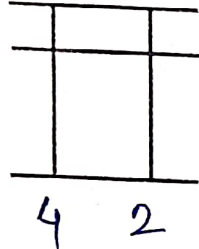
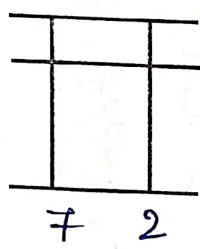
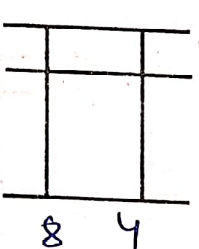
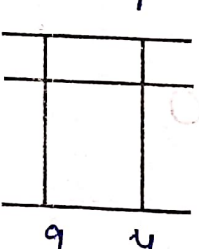
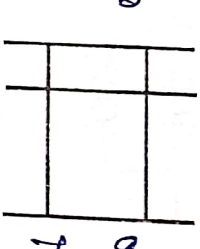
Centre Name : _____

TIME = 5 MIN

FULL MARKS = 50

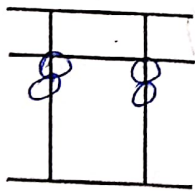
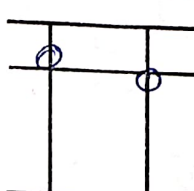
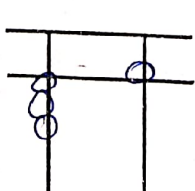
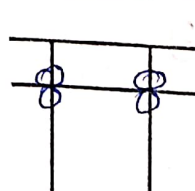
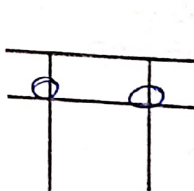
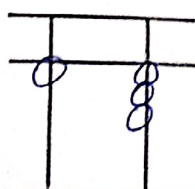
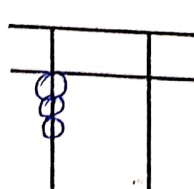
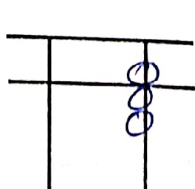
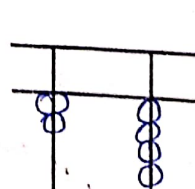
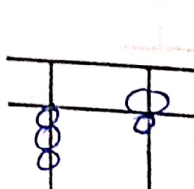
DRAW THE BEADS :

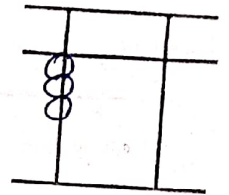
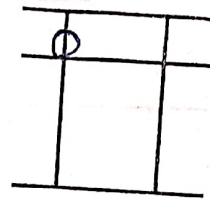
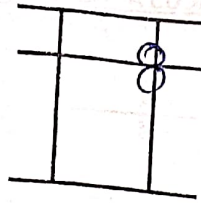
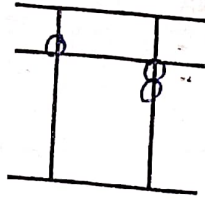
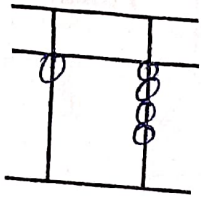
15 X 1 = 15

 <p>1 7</p>	 <p>9 3</p>	 <p>2 7</p>	 <p>7 8</p>	 <p>4</p>
 <p>3 3</p>	 <p>1 9</p>	 <p>9</p>	 <p>5 9</p>	 <p>5</p>
 <p>4 2</p>	 <p>7 2</p>	 <p>8 4</p>	 <p>9 4</p>	 <p>7 9</p>

WRITE THE VALUE OF THE BEADS :

15 X 1 = 15



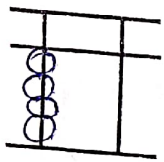
Addition (On Tool)

$10 \times 1 = 10$

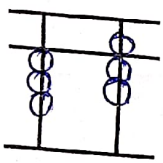
1	2	3	4	5	6	7	8	9	10
7	6	2	3	1	4	7	5	9	8
2	3	7	6	8	5	2	4	-8	-7
-8	-6	8	-7	-6	-7	-8	-8	7	3

Match the Following

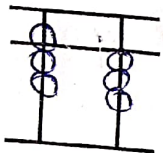
$10 \times 1 = 10$



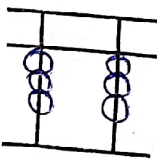
14



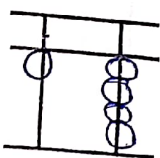
40



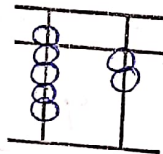
37



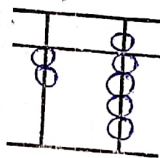
73



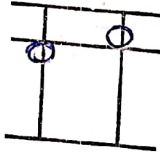
33



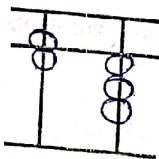
51



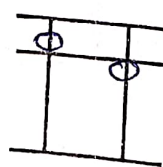
15



92



29



63

TABLE 1

TABLE 2

TABLE 3